

ATS8P Series

Power-OFF Delay Timer, Compact Size W38×H42mm

■ Features

- Control time range
(ATS8P-□S: 0.1 to 10 sec, ATS8P-□M: 0.1 to 10 min)
- Direct reading for time setting and time range with easy adjustment
- Power supply: 100-120VAC50/60Hz, 200-240VAC 50/60Hz, 24VAC 50/60Hz, 24VDC universal
- Close and DIN rail mounting
with the dedicated socket (PS-M8) width 41mm
- Easy mounting and installation/maintenance
with the dedicated bracket for DIN 48×48mm
- Application
: Protection circuit when momentary power failure and start it again



⚠ Please read "Safety Considerations" in the instruction manual before using.



■ Ordering Information

ATS	8	P	-	2	S
Item		Number of plug pins		Time operation	Power supply
				Time unit	
				S	SEC
				M	MIN
				2	24VAC 50/60Hz, 24VDC type
				5	200-240VAC 50/60Hz
				6	100-120VAC 50/60Hz
				P	Power OFF Delay
				8	8-pin plug type
				ATS	Compact Analog Timer

※8-pin socket (PG-08, PS-08(N), PS-M8) is sold separately.

■ Specifications

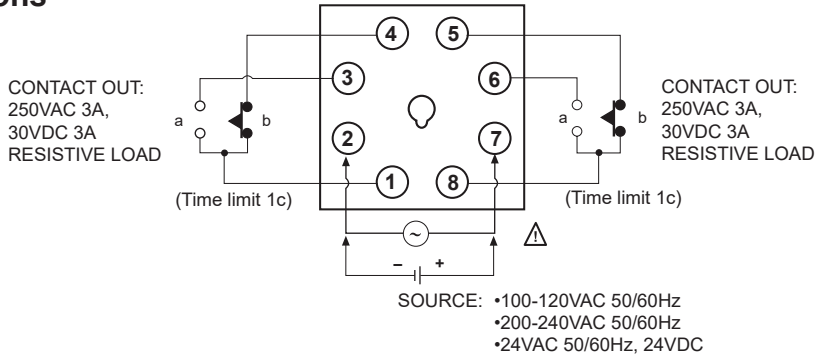
Model		ATS8P-□S	ATS8P-□M
Function		Power OFF Delay	
Control time setting range ^{※1}		0.1 to 10 sec	0.1 to 10 min
Power supply		•100-120VAC~ 50/60Hz	•200-240VAC~ 50/60Hz •24VAC~ 50/60Hz, 24VDC≡ universal
Allowable voltage range		90 to 110% of rated voltage	
Power consumption		•Max. 1.5VA (100-120VAC~ 50/60Hz) •Max. 0.2VA (24VAC~ 50/60Hz), Max. 0.2W (24VDC≡)	•Max. 1.5VA (200-240VAC~ 50/60Hz)
Timing operation		Power OFF Start	
Control output	Contact type	Time limit DPDT (2c)	
	Contact capacity	250VAC~ 3A, 30VDC≡ 3A resistive load	
Relay life cycle	Mechanical	Min. 10,000,000 operations	
	Electrical	Min. 100,000 operations (250VAC 3A resistive load)	
Repeat error		Max. ±0.2% ±10ms	
SET error		Max. ±5% ±50ms	
Voltage error		Max. ±0.5%	
Temperature error		Max. ±2%	
Insulation resistance		Over 100MΩ (at 500VDC megger)	
Dielectric strength		2,000VAC 50/60Hz for 1 min	
Noise immunity		±2kV the square wave noise (pulse width: 1μs) by noise simulator	
Vibration	Mechanical	0.75mm amplitude at frequency of 10 to 55Hz (for 1 min) in each X, Y, Z direction for 1 hour	
	Malfunction	0.5mm amplitude at frequency of 10 to 55Hz (for 1 min) in each X, Y, Z direction for 10 min	
Shock	Mechanical	300m/s ² (approx. 30G) in each X, Y, Z direction 3 times	
	Malfunction	100m/s ² (approx. 10G) in each X, Y, Z direction 3 times	
Environment	Ambient temp.	-10 to 55°C, storage: -25 to 65°C	
	Ambient humi.	35 to 85%RH, storage: 35 to 85%RH	
Approval		CE c UL US	
Accessory		Bracket	
Unit weight		Approx. 80g	Approx. 85g

※1: Refer to time specifications for control time setting range by model.

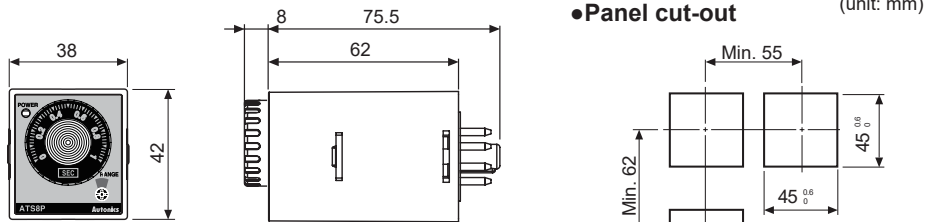
※Environment resistance is rated at no freezing or condensation.

Compact Power OFF Delay Analog Timer

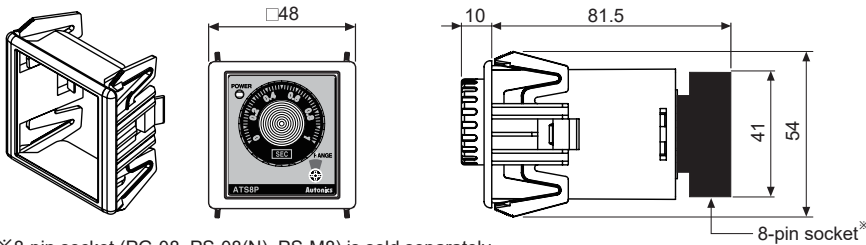
■ Connections



■ Dimensions

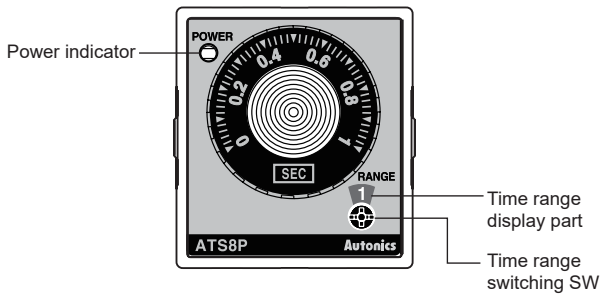


● Bracket



※8-pin socket (PG-08, PS-08(N), PS-M8) is sold separately.
Refer to the '(I)Connectors/Connector Cables/Sensor Distribution Boxes/Sockets's.

■ Unit Description

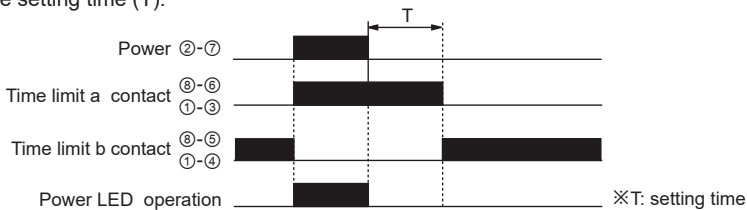


● Time specifications

Model	Time range	Time unit	Time setting range
ATS8P-□S	1	SEC	0.1 to 1 sec
	10		1 to 10 sec
ATS8P-□M	1	MIN	0.1 to 1 min
	10		1 to 10 min

■ Operation

When supplying the power, 'a' contact turns ON at the same time. When turning OFF the power, 'a' contact turns OFF after the setting time (T).



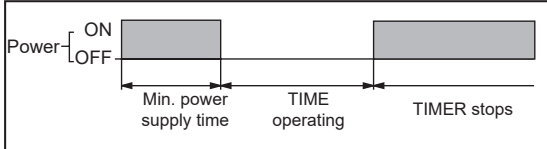
SENSORS
CONTROLLERS
MOTION DEVICES
SOFTWARE
(J) Temperature Controllers
(K) SSRs
(L) Power Controllers
(M) Counters
(N) Timers
(O) Digital Panel Meters
(P) Indicators
(Q) Converters
(R) Digital Display Units
(S) Sensor Controllers
(T) Switching Mode Power Supplies
(U) Recorders
(V) HMIs
(W) Panel PC
(X) Field Network Devices

ATS8P Series

■ Proper Usage

◎ Power

- This product is Power OFF Delay Timer, the time of min. power supply is 0.1 sec for ATS8P-□S, and 2 sec for ATS8P-□M. Therefore be sure that this timer does not operate when supplying power but operates when turning OFF the power.



- Please observe the allowable voltage range and apply or cut the power at once to prevent from chattering.
- 24VDC, 24VAC power supply should be insulated and limited voltage/current or Class 2, SELV power supply device.
- When supplying the power, inrush current flows for a certain moment.

◎ Noise

- We test 2kV, pulse width 1 μ s against impulse voltage between power terminals and 1kV, pulse width 1 μ s at noise simulator against external noise voltage. Please install MP condenser (0.1 to 1 μ F) or oil condenser between power terminals when over impulse noise voltage occurs.
- Dielectric, impulse voltage or insulation resistance test of electrical circuit when this unit is installed in the control panel.
- Separate the unit from control panel circuit.
- Short circuit all terminals of the unit.
(to prevent from damage of this inner circuit by inner, insulation failure of control panel parts)

◎ Environment

Do not use this unit at below places.

- Place where temperature and humidity is out of the rated specifications.
- Place where freezing generates by temperature changes
- Place where there is flammable or explosive gas
- Place where there is lots of dust, oil or strong vibration or shock
- Place where strong alkalis or acid is used.
- Place where there is direct ray of the sun
- Place where strong magnetic field or electric noise is generated